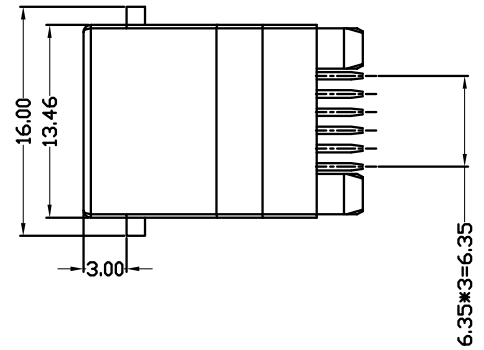
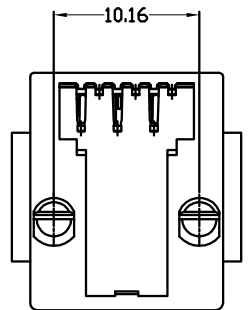


P.C.B LAYOUT TOP VIEW



- Electrical:
- 1.Voltage Rating: 125 Vac Rms
 - 2.Current Rating: 1.5 Amp
 - 3.Contact Resistance: 40 Milliohms Max
 - 4.Insulation Resistance: 1000 Megohms Min@500 Vdc
 - 5.Dielectric Strength: 1000 Vac Rms 60Hz,1Min
- Mechanical:
- 1.Operating: 750 Cycles Min
- Environmental:
- 1.Storage: -40°C To +85°C
 - 2.Opertion: -20°C To +75°C

Mates With Modular Plug Conforming To FCC Part 68,Subpart F

Notes:

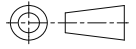
MATERIALS

HOUSING: ENGINEERING THERMOPLASTIC FLAMMABILITY UL 94V-0

CONTACTS: PHOSPHOR BRONZE

PLATING: GOLD PLATING OVER NICKEL IN CONTACT
TIN PLANTING OVER NICKEL IN SOLDER AREA

ROHS

TOLERANCE UNLESS OTHERWISE SPECIFIED		CUSTOMER COPY			Coorle Technology				
LINER	ANGLES	PROJECTION 			PROD. TOP ENTRY PCB JACK		DESCRIP. (6P6C非屏带耳)		
0 ± 0.50	± 3'				PROD. NUMBER		SIZE	REV.	Http://www.coorle.cn
.0 ± 0.38		DESIGN	PAUL HUANG	6/15/19	UNIT	SCALE	SIZE	REV.	Tel: 0769-81685156
.00 ± 0.25		APPRO.			MM	/	A4	C	Fax: 0769-81605156